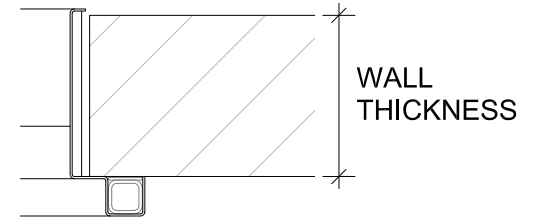
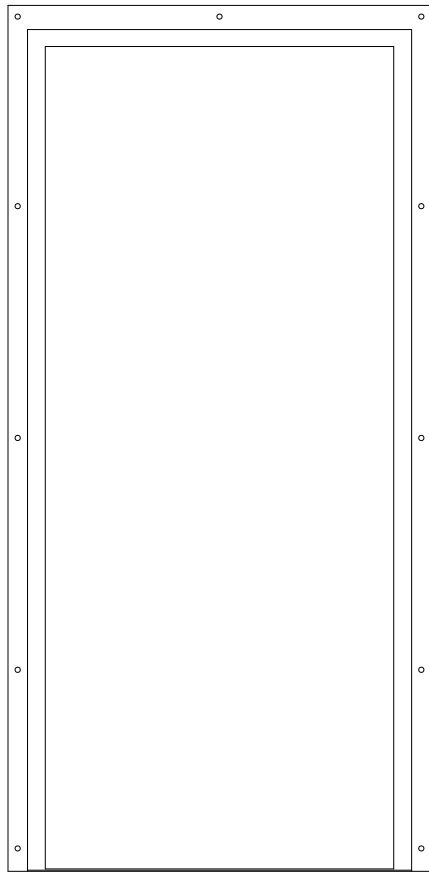


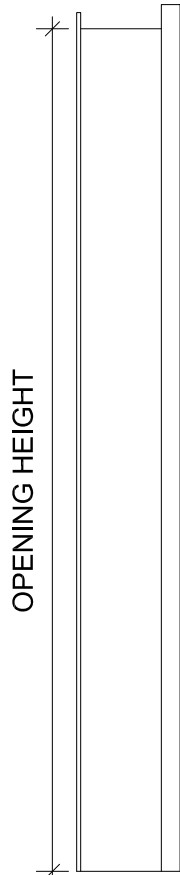
SECTION VIEW



DETAIL VIEW



WET SIDE FRONT VIEW



SIDE VIEW

PLEASE SPECIFY  
DOORWAY DIMENSIONS

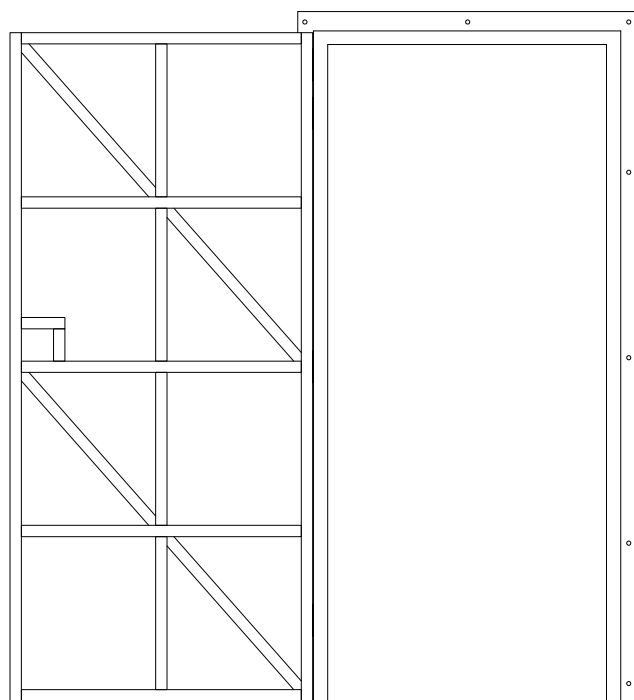
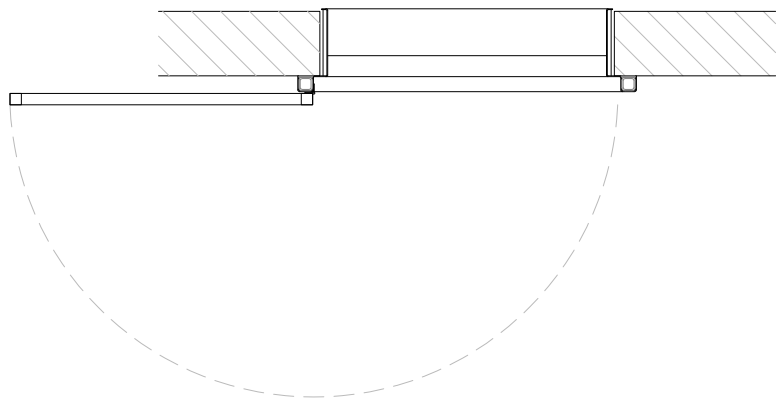
COMPONENT	(mm)
OPENING HEIGHT	
OPENING WIDTH	
WALL THICKNESS	
FLOOD PROTECTION HEIGHT REQUIRED	

PLEASE SPECIFY  
REQUIRED DOOR HARDWARE

COMPONENT	YES	NO
KEYED LOCK - INTERNAL		
KEYED LOCK - EXTERNAL		
DOOR CLOSER - INTERNAL		
DOOR LEVER HANDLE - INTERNAL		
DOOR LEVER HANDLE - EXTERNAL		
EXTERNAL LOCK GUARD		
OTHER REQUIREMENTS		

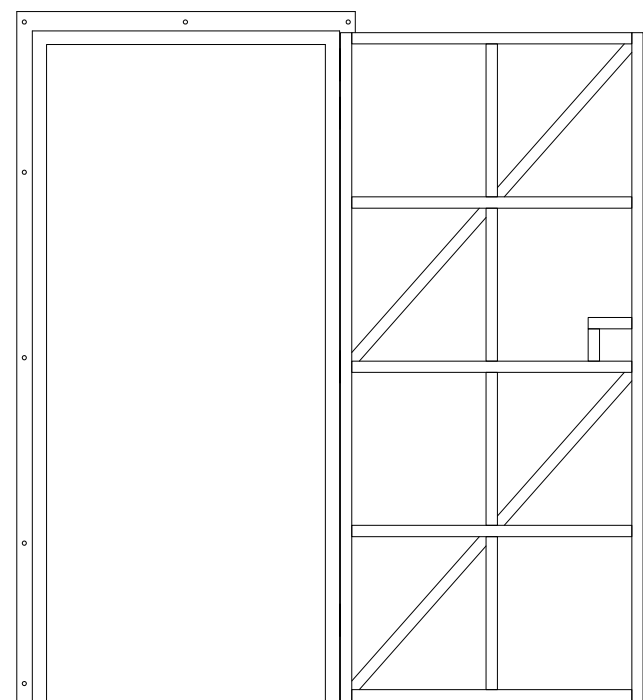
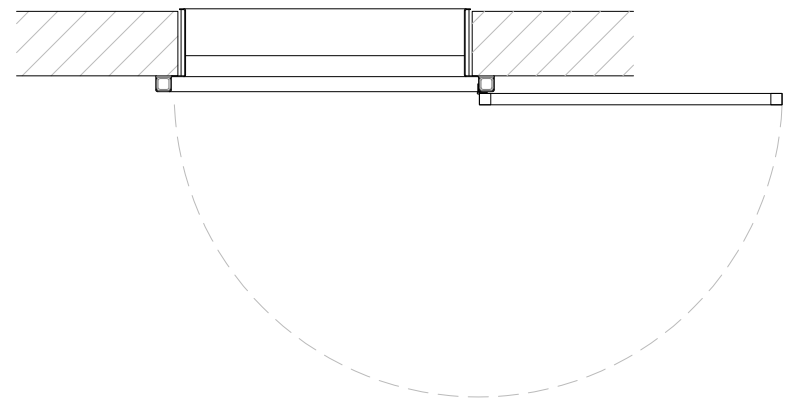
CLIENT SIGN OFF:

SIGNATURE	DATE



WET SIDE FRONT VIEW

	YES	NO
DOOR OPENS TO LEFT		
PLEASE TICK CORRECT BOX		



WET SIDE FRONT VIEW

	YES	NO
DOOR OPENS TO RIGHT		
PLEASE TICK CORRECT BOX		