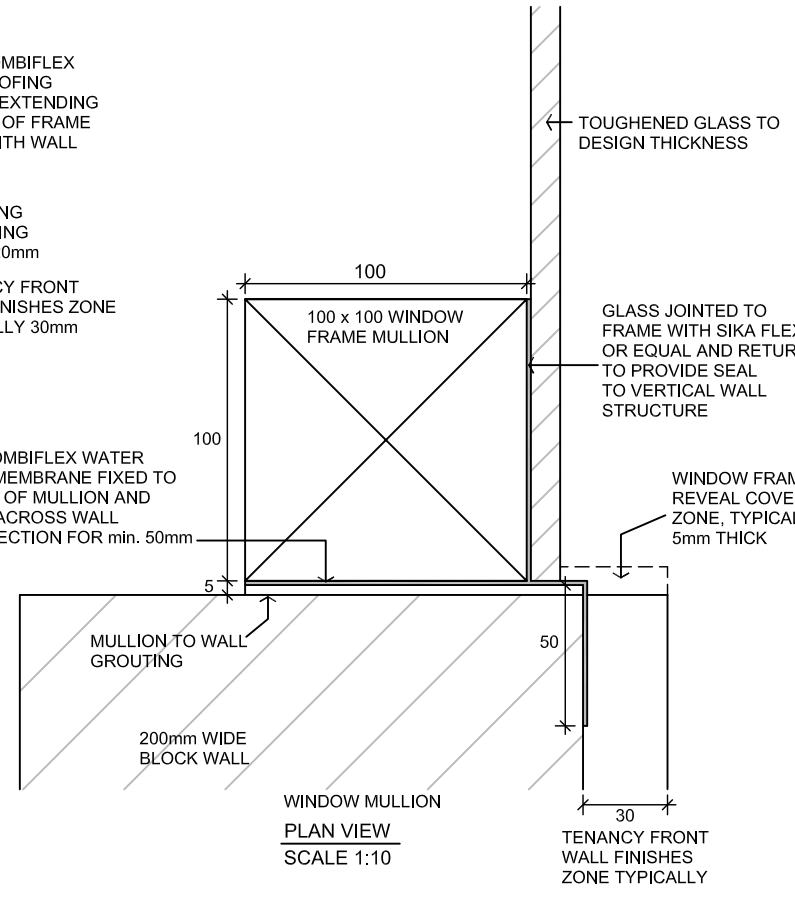


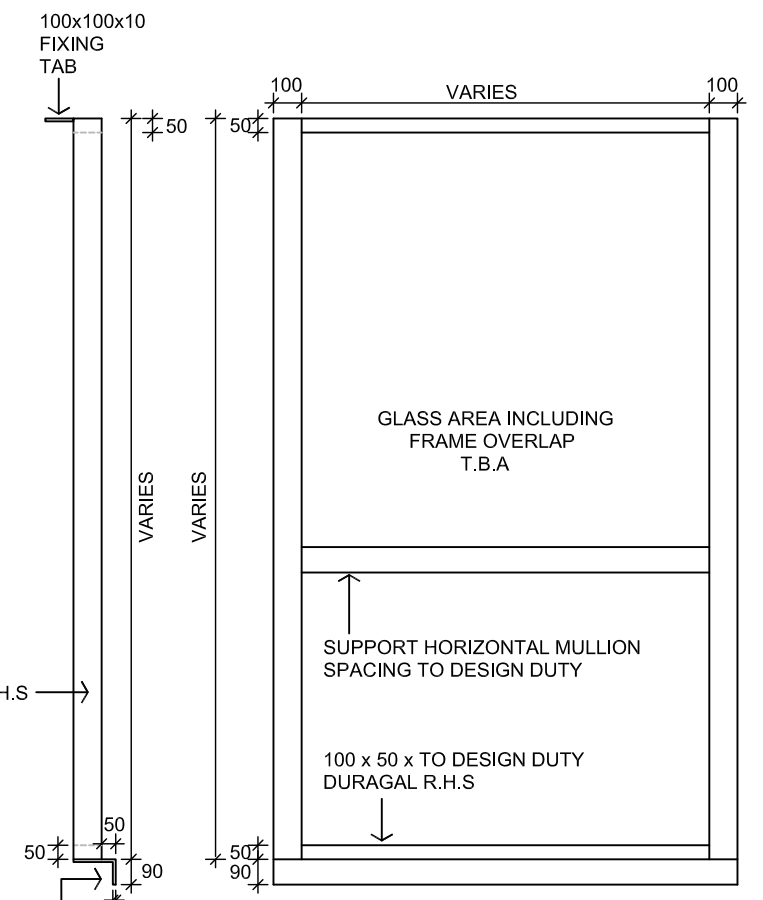
WINDOW SILL SECTION VIEW
SCALE 1:10



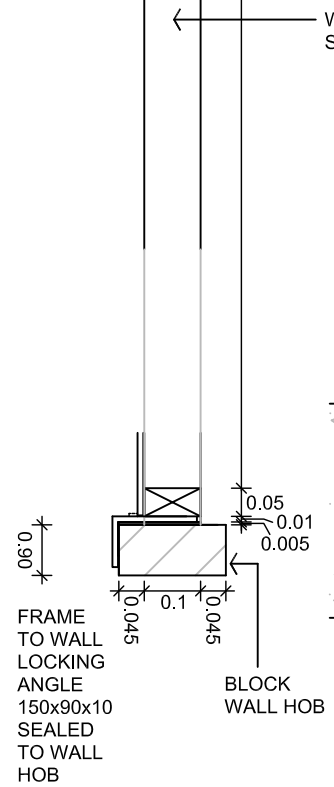
WINDOW MULLION
PLAN VIEW
SCALE 1:10

WINDOW FRAME
FINISH: SELECTED 2 PAK EPOXY PAINT

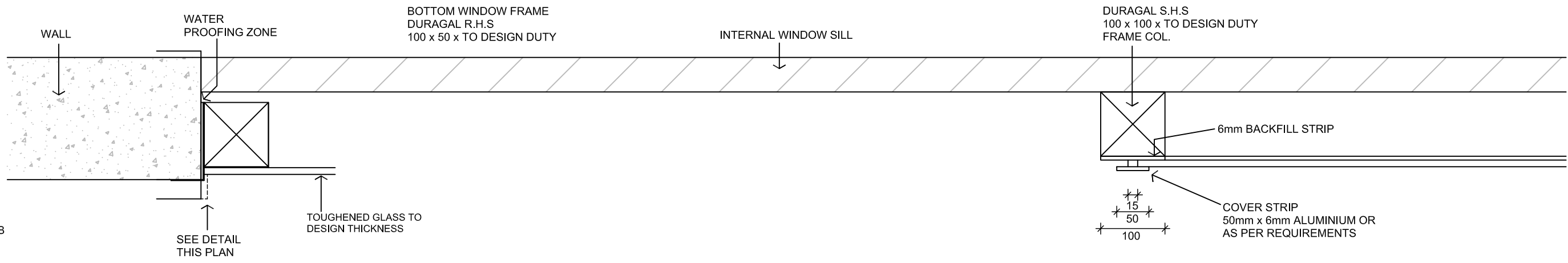
- WATER PROOFING**
TO NOMINATED FLOOD HEIGHT ABOVE WINDOW HOB SILL HEIGHT.
- ALL STEEL SECTIONS JOINED TO MASONRY WITH 1mm SIKADUR COMBIFLEX WATER PROOFING SYSTEM
 - MINOR GAPS TO BE SEALED WITH SIKA FLEX - PRO SEALANT
 - GLASS TO BE SEALED TO METAL FRAME'S WITH SIKA FLEX - PRO SEALANT



SCALE 1:20



SCALE 1:10



SCALE 1:5

Quality System Implemented ISO 9091 Lic No. 221

BE ADVISED THAT FLOODING SOLUTIONS HOLDS/OWN THE COPYRIGHT FOR/ON THIS DRAWING. COPYING WITHOUT PERMISSION OF FLOODING SOLUTIONS WOULD BE A BREACH/INFRINGEMENT OF COPYRIGHT.
DIMENSIONS: CONTRACTOR TO CHECK ALL DIMENSIONS ON-SITE PRIOR TO COMMENCING CONSTRUCTION. DO NOT SCALE FROM THIS DRAWING. USE GIVEN DIMENSIONS. COPYRIGHT © THIS DOCUMENT IS COPYRIGHT. ALL RIGHTS RESERVED.

1	INFORMATION	30/01/15
ISSUE:	DESCRIPTION:	DATE:

PROJECT:	DATE:	DRAWN BY:	DRAWING NO.
F.S.A.G FLOOD WINDOWS	30/01/15	L. OLIVE	2010-F.W/SK1
DRAWING TITLE:	SCALE:	DESIGN BY:	1
FIXED FLOOD WINDOW GENERAL DETAILS	AS SHOWN	J. OLIVE	INFORMATION
	PLAN NO.	CHECKED BY:	
	1/1	

NORTH POINT:	14 PAGE STREET MORUYA N.S.W. 2537 PH: (02) 4474 4711 FAX: (02) 4474 4105 EMAIL: INFO@FLOODINGSOLUTIONS.COM.AU
Flooding Solutions ADVISORY GROUP	