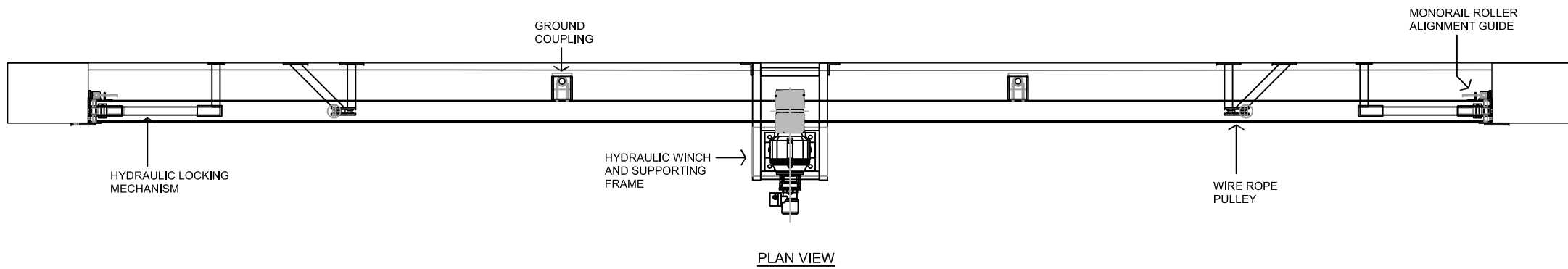
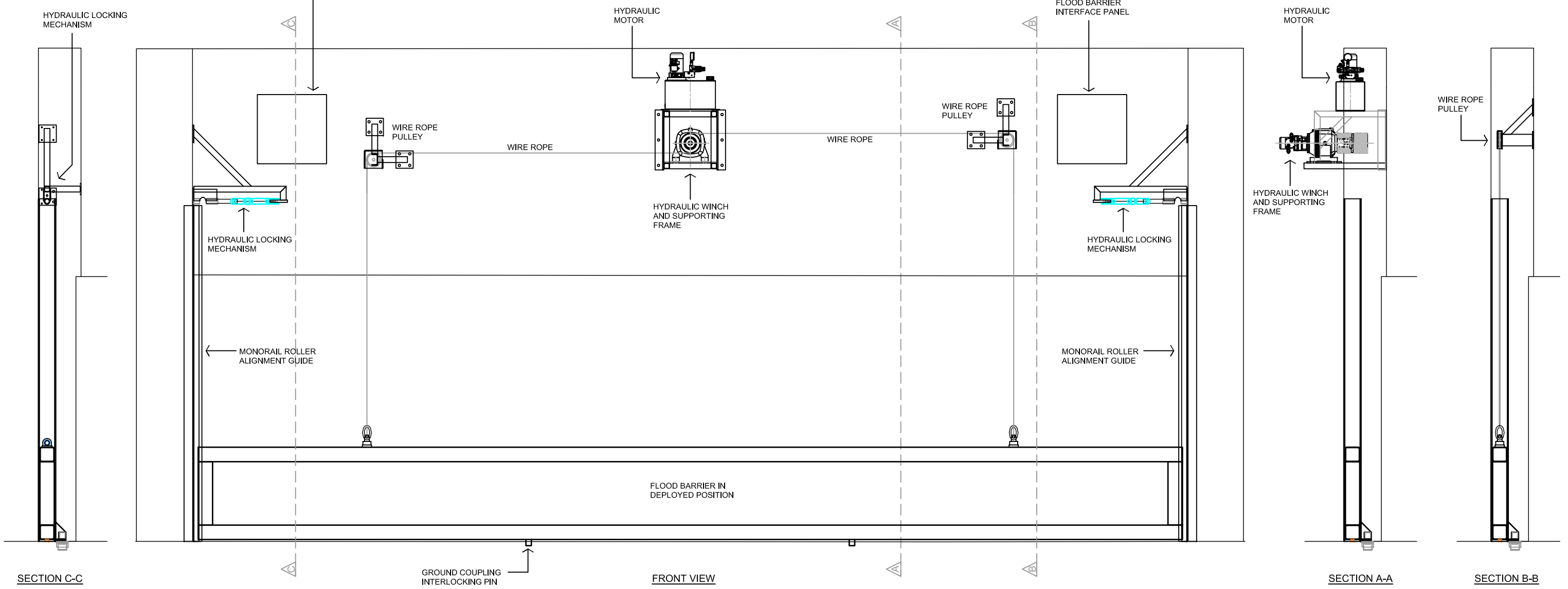


FLOOD BARRIER CONTROL PANEL



Quality System Implemented ISO 9091 Lic No. 221

BE ADVISED THAT FLOODING SOLUTIONS HOLDS/OWN THE COPYRIGHT FOR/ON THIS DRAWING. COPYING WITHOUT PERMISSION OF FLOODING SOLUTIONS WOULD BE A BREACH/INFRINGEMENT OF COPYRIGHT.

DIMENSIONS: CONTRACTOR TO CHECK ALL DIMENSIONS ON-SITE PRIOR TO COMMENCING CONSTRUCTION. DO NOT SCALE FROM THIS DRAWING. USE GIVEN DIMENSIONS. COPYRIGHT © THIS DOCUMENT IS COPYRIGHT. ALL RIGHTS RESERVED.

1	INFORMATION	28/03/17
ISSUE:	DESCRIPTION:	DATE:

PROJECT:	F.S.A.G AUTOMATED DROP DOWN PRODUCT NO. FS-018
DRAWING TITLE:	AUTOMATED DROP DOWN FLOOD BARRIER SYSTEM INFORMATION

DATE:	28/03/17	DRAWN BY:	L. OLIVE
SCALE:	N.T.S	DESIGN BY:	J. OLIVE
PLAN NO.	1/1	CHECKED BY:

DRAWING NO.	2017-D.D/SK 1
ISSUED FOR:	INFORMATION

NORTH POINT:	14 PAGE STREET MDRUYA N.S.W. 2537 PH: (02) 4474 4711 FAX: (02) 4474 4105 EMAIL: INFO@FLOODINGSOLUTIONS.COM.AU
--------------	---

